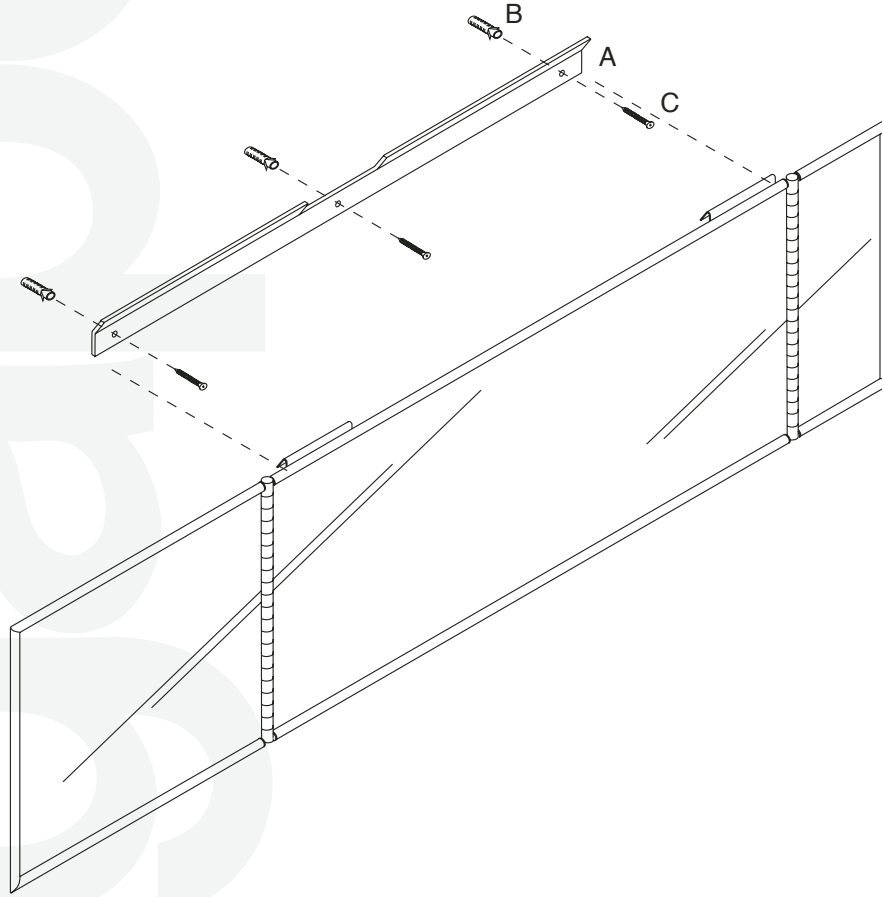


# GAB351 "GABBIANO"

Specchio / Mirror



Predisporre i fori  $\varnothing$  8 mm prendendo come dima la staffa (A), fissare la stessa a muro tramite i tasselli (B) e le viti (C) in dotazione, quindi agganciare lo specchio alla staffa.

Drill holes diam. 8 mm. using the support (A) as a template. Fix the support to the wall by means of the provided expansion bosses (B) and the screws (C), then hook the mirror on the support.

